



Electric Actuators

Index

90° Unidirectional Actuators for 2 and 4-Way Ball Valves	4
180° Unidirectional Actuators for 3-Way Ball Valves	6
90° Unidirectional Reversible Actuators for 3-Way Ball Valves	8
4-Position Unidirectional Actuators for 5-Way Ball Valves	10
Metering Valve Actuators	12



actuators



Electric Actuators

Hoke actuated valves are available for use in a wide variety of applications including on-off switching, selecting, sampling, and metering of fluids. Specific types of actuated valves include 90° Shut-Off Ball Valves, 3-way, 4-way and 5-way Ball Valves and Metering Valves. Electrically actuated valves are supplied in two standard voltages, 115 VAC and 24 VDC, designed to be weather-proof standards. The Application / Buyers Guide will help you select the actuator-valve combination best suited to your requirements. Depend on Hoke to supply the actuated valve for your automated instrument and process systems, or for applications where manual control is difficult or not possible.








actuators

HOKE Incorporated

405 Centura Court • PO Box 4866 (29305) • Spartanburg, SC 29303
Phone (864) 574-7966 Fax (864) 587-5608
www.hoke.com • sales@hoke.com

Application & Buyers Guide

	<p>90° UNIDIRECTIONAL ELECTRICALLY OPERATED FOR BALL VALVES Low cost electric actuator is designed for unidirectional 90° control of Hoke Flomite®, Multimite®, and Rotoball® valves. Select from weather-proof models for 115 VAC or 24 VDC service. Position Indicator switches are standard.</p>
	<p>180° UNIDIRECTIONAL ELECTRICALLY OPERATED FOR 3-way BALL VALVES. These 115 VAC (weather-proof) and 24 VDC (weather-proof) actuators provide 180° unidirectional control of Hoke Selectomite® 3-way ball valves. Position indicator switches are standard.</p>
	<p>90° REVERSIBLE ELECTRICALLY OPERATED FOR 3-way BALL VALVES This reversible 115 VAC weather-proof actuator is recommended for 90° incremental positioning of Hoke Selectomite® 3-way ball valves. Position indicator switches are standard.</p>
	<p>4-POSITION UNIDIRECTIONAL ELECTRICALLY OPERATED FOR 5-WAY BALL VALVES Designed for the unidirectional 90°, 180°, or 270° positioning of Hoke Multimite® 5-way ball valves. Select from 115 VAC (weather-proof) or 24 VDC (weather-proof) models. Position indicator switches are standard.</p>
	<p>METERING VALVE ACTUATORS – ELECTRICALLY OPERATED These 115 VAC weather-proof actuators provide positioning or shut-off of Hoke 2300 series, Milli-Mite® 1300 series and Micromite® 1600 series metering valves. Models come with limit switches or feedback potentiometers.</p>

Application & Buyers Guide

Voltage **115 VAC/60 Cycle** **24 VDC**
Rated Current (Full Load) 1.6 Amps 0.63 Amps
Power Consumption (Full Load)57 Watts 15 Watts
Torque Output 40 In. lbs. 40 In. lbs.
Output Speed. 6 RPM 6 RPM
Cycle Time 2.5 Seconds Max for 90° Operation

Page 4

Power **115 VAC/60 Cycle** **24 VDC**
Rated Current (Full Load) 1.6 Amps 0.63 Amps
Power Consumption (Full Load)57 Watts 15 Watts
Torque Output 40 In. lbs. 40 In. lbs.
Output Speed. 6 RPM 6 RPM
Cycle Time 5 Seconds Max for 180° Operation

Page 6

Voltage 115 VAC/60 Cycle
Rated Current (Full Load) 0.4 Amps
Power Consumption (Full Load) 47 Watts A
Torque Output 40 in lbs.
Output Speed. 6 RPM
Cycle Time 1.8 seconds Max for 90° Operation

Page 8

Power **115 VAC / 60 Cycle** **24 VDC**
Rated Current (Pull Load) 1.6 Amps 0.63 Amp
Power Consumption (Full Load)57 Watts 15 Watts
Torque Output 40 In. lbs. 40 In. lbs.
Output Speed. 6 RPM 6 RPM
Cycle Time 2.5 seconds max for 90° Operation

Page 10

Voltage 115 VAC/60 Cycle
Rated Current (Full Load) 19 Watts max.
Power Consumption (Full Load) 2 Amps max.
Torque Output 20 In. Lbs.
Output Speed. 10 RPM

Page 12



90° Actuators

Unidirectional Electrically Operated for 2- and 4-way Ball Valves
115 Volt AC & 24 Volt DC



Typical Applications

- Unidirectional 90° on-off control of Hoke Flomite® and Rotoball® 2-way valves, and unidirectional 90° positioning of Multimite® 4-way valves.
- Automated instrument and process systems.
- Test areas where remote control is mandatory.
- For inaccessible areas where manual operation is not possible.
- Anywhere separate low voltage power supply is required.

Technical Data

	115 VAC/60 CYCLE*	24 VDC
RATED CURRENT (FULL LOAD)	1.6 Amps	0.63 Amps
POWER CONSUMPTION (FULL LOAD)	57 Watts	15 Watts
TORQUE OUTPUT	40 in. lbs.	
OUTPUT SPEED	6 RPM	
CYCLE TIME	2.5 Seconds Max for 90° Operation	
WEIGHT	3 lbs. Weather-proof	2 lbs. Weather-proof

* 220 VAC / 50 Hz also available – consult factory

Features & Benefits

- Position indicator switches are standard in all models.
- Low operating cost – power on during positioning only.
- Weather-proof enclosure.
- Long life 24 volt permanent magnet gear motors on direct current models.
- Thermal overload protection prevents motor burnout on AC models.
- Manual override allows manual valve operation in the event of a power failure.
- ½" weather-proof conduit connection is standard; grommet is furnished for field installation.
- Can be installed in any position.

actuators

HOKE Incorporated

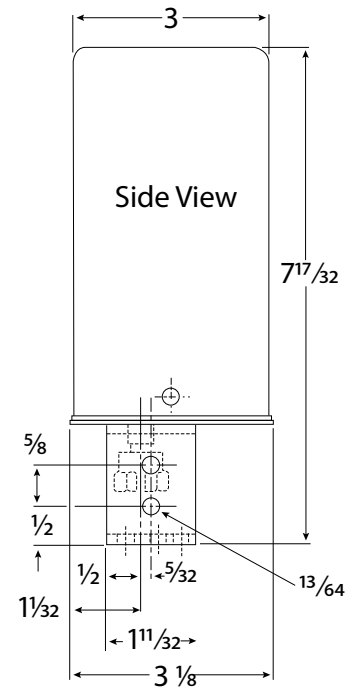
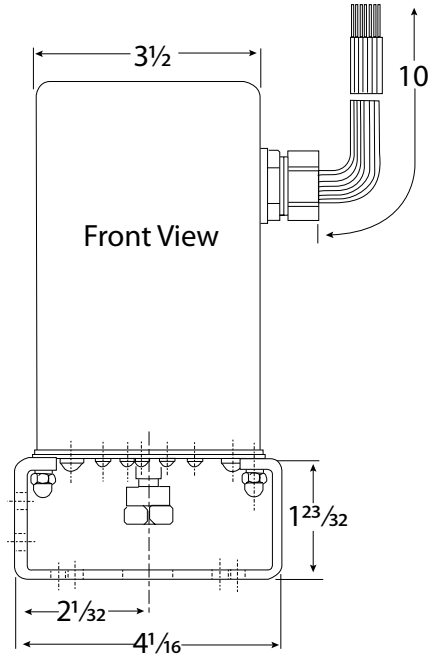
405 Centura Court • PO Box 4866 (29305) • Spartanburg, SC 29303
Phone (864) 574-7966 Fax (864) 587-5608
www.hoke.com • sales@hoke.com

90° Actuators

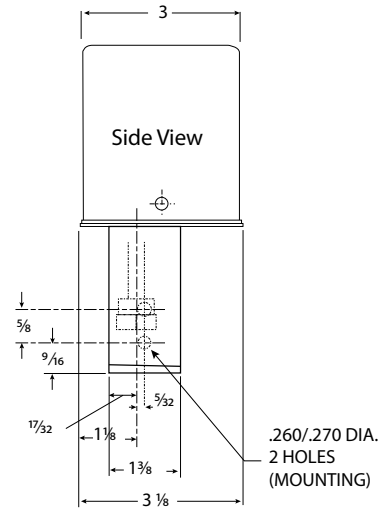
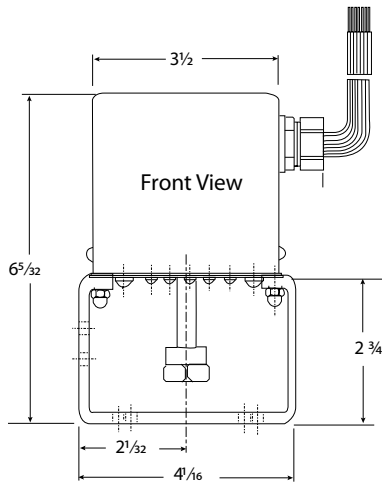
Outline Drawings

Dimensions in inches

0172L2
0172L2F
0172L2P



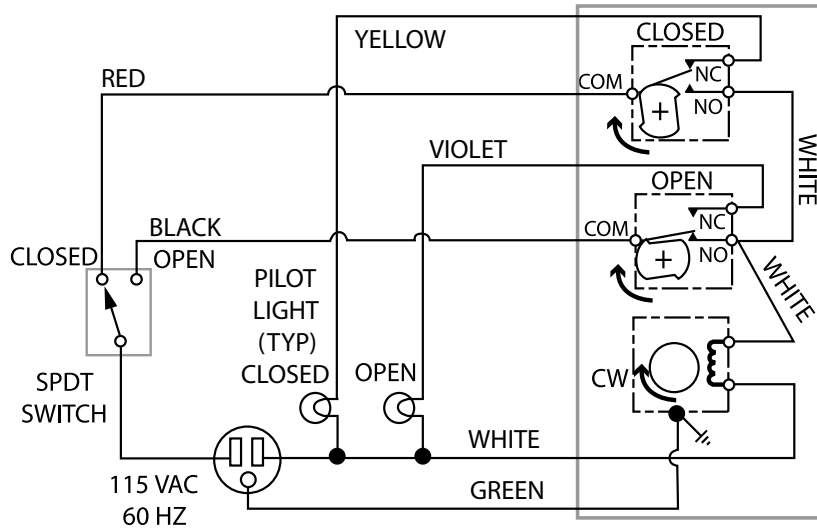
0112L2
0112L2F
0112L2T
0112L2P



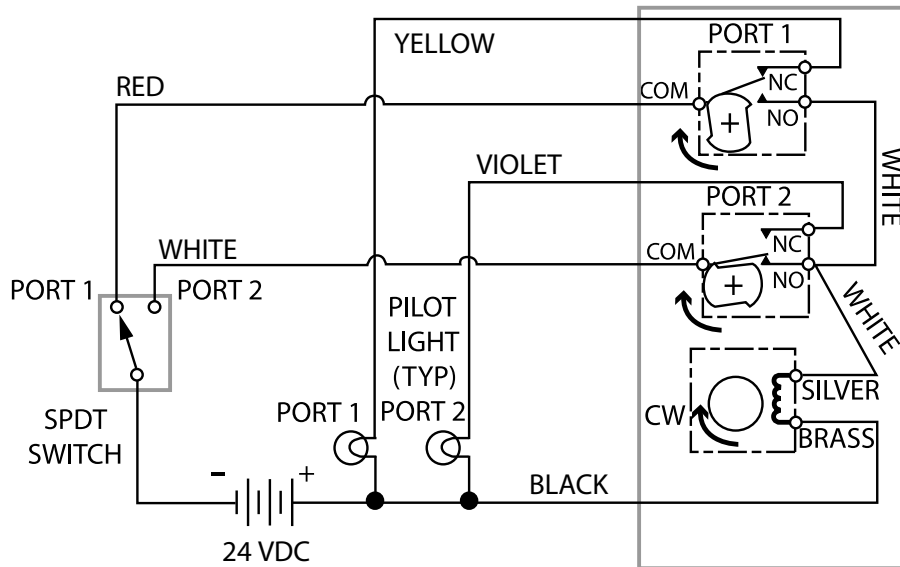
90° Actuators

Wiring Diagrams

0112L2



0172L2



How to Order*

VOLTAGE	ACTUATOR DESCRIPTION	ACTUATOR ORDER NUMBER	FOR USE WITH VALVE SERIES	MOUNTING KIT NUMBER
115 VAC 60 CYCLE	WEATHER-PROOF	0112L2	Flomite® 7115 & 7122 ¹	0112K7100
	WEATHER-PROOF	0112L2	Rotoball® 7200 ¹	0112K7200
	WEATHER-PROOF	0112L2	Multimite® 7911 & 7921 ²	0112K7900
24 VDC	WEATHER-PROOF	0172L2	Flomite® 7115 & 7122 ¹	0112K7100
			Rotoball® 7200 ¹ Multimite® 7911 & 7921	0112K7200 0112K7900

* To order a valve-actuator combination, specify the valve model number from Hoke's General Purpose Ball Valve Catalog 79066 followed by the actuator number. Example: Valve 7115G4Y with actuator 0112L2. For field assembly, the valve number, actuator number, and mounting kit number must be specified. Factory assembly is highly recommended.

¹ 2-way
² 4-way

FOR YOUR SAFETY

IT IS SOLELY THE RESPONSIBILITY OF THE SYSTEM DESIGNER AND USER TO SELECT PRODUCTS SUITABLE FOR THEIR SPECIFIC APPLICATION REQUIREMENTS AND TO ENSURE PROPER INSTALLATION, OPERATION AND MAINTENANCE OF THESE PRODUCTS. MATERIAL COMPATIBILITY, PRODUCT RATINGS AND APPLICATION DETAILS SHOULD BE CONSIDERED IN THE SELECTION. IMPROPER SELECTION OR USE OF PRODUCTS DESCRIBED HEREIN CAN CAUSE PERSONAL INJURY OR PROPERTY DAMAGE.



180° Actuators

Unidirectional Electrically Operated for 3-way Ball Valves
115 Volt AC & 24 Volt DC



Typical Applications

- Unidirectional 180° position for switching between ports of 3-way Selectomite® valves.
- Automated instrument and process systems.
- Test areas where remote control is mandatory.
- For inaccessible areas where manual operation is not possible.
- Anywhere separate low voltage power supply is required.

Technical Data

	115 VAC/60 CYCLE*	24 VDC
RATED CURRENT (FULL LOAD)	1.6 Amps	0.63 Amps
POWER CONSUMPTION (FULL LOAD)	57 Watts	15 Watts
TORQUE OUTPUT	40 in. lbs.	
OUTPUT SPEED	6 RPM	
CYCLE TIME	5 Seconds Max for 180° Operation	
WEIGHT	3 lbs. Weather-proof	2 lbs. Weather-proof

* 220 VAC / 50 Hz also available – consult factory

Features & Benefits

- Position indicator switches are standard in all models.
- Low operating cost – power on during positioning only.
- Weather-proof enclosure.
- Long life 24 volt permanent magnet gear motors on direct current models.
- Thermal overload protection prevents motor burnout on AC models.
- Manual override allows manual valve operation in the event of a power failure.
- ½" weather-proof conduit connection is standard; grommet is furnished for field installation.
- Can be mounted in any position.
- Special High Tolerance NPT Thread

actuators

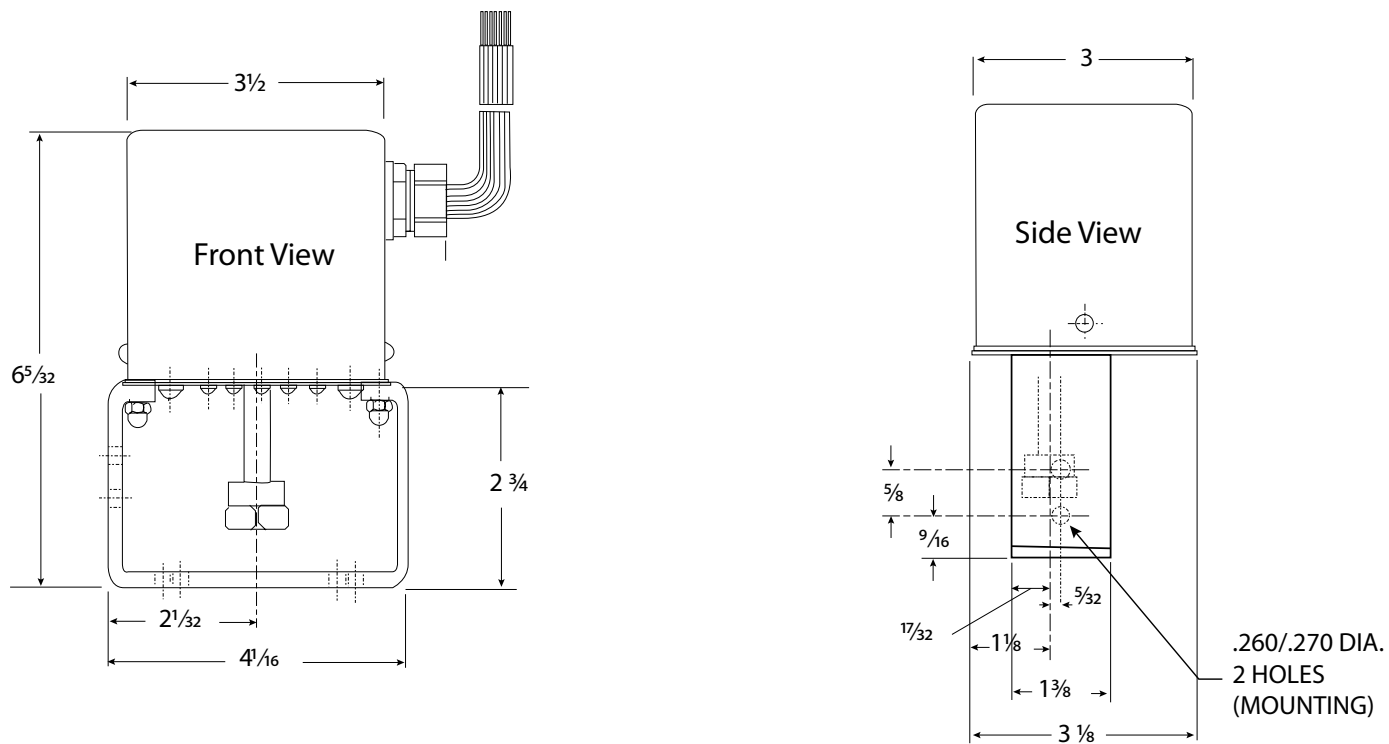
HOKE Incorporated

405 Centura Court • PO Box 4866 (29305) • Spartanburg, SC 29303
Phone (864) 574-7966 Fax (864) 587-5608
www.hoke.com • sales@hoke.com

180° Actuators

Outline Drawings

Dimensions in inches



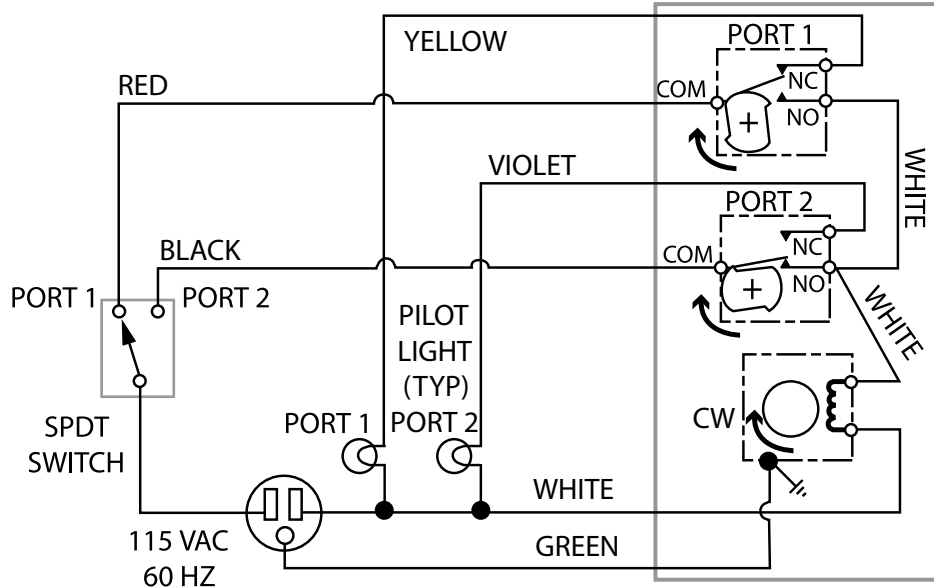
0112L2/0112L2F/0112L2T/0112L2P

180° Actuators

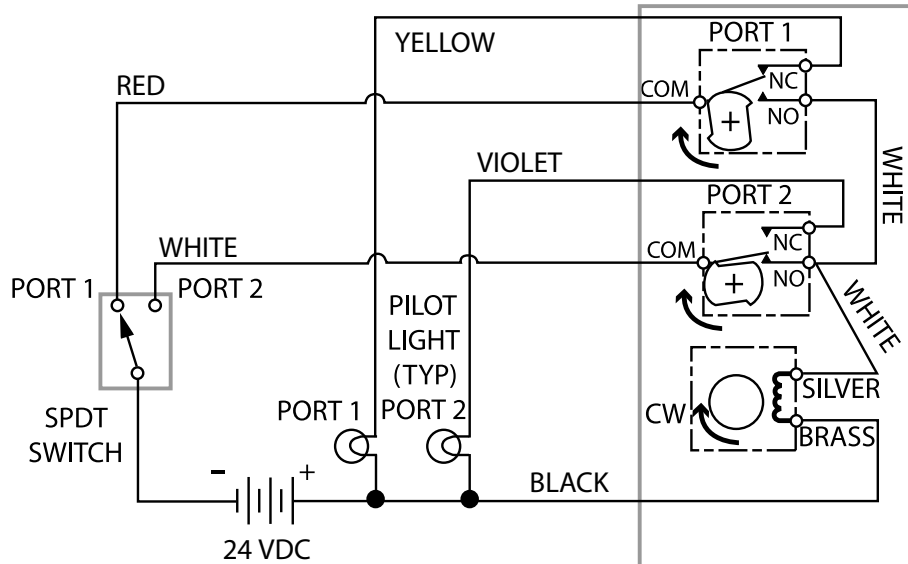
Wiring Diagrams

Dimensions in inches

0112L2F/0112L2T



0172L2F



How to Order*

VOLTAGE	ACTUATOR DESCRIPTION	ACTUATOR ORDER NUMBER	FOR USE WITH VALVE SERIES	MOUNTING KIT NUMBER
115 VAC 60 CYCLE	WEATHER-PROOF	0112L2F	Selectomite® 7165, 7671, 7673	RS0112K7165
	WEATHER-PROOF	0112L2T	Selectomite® 7644	RS0112K7644
24 VDC	WEATHER-PROOF	0172L2F	Selectomite® 7165, 7671, 7673 Selectomite® 7644	RS0112K7165 RS0112K7644

* To order a valve-actuator combination, specify the valve model number from Hoke's General Purpose Ball Valve Catalog 79066 followed by the actuator number. Example: Valve 7165G4Y with actuator 0112L2F. For field assembly, the valve number, actuator number, and mounting kit number must be specified. Factory assembly is highly recommended.

FOR YOUR SAFETY

IT IS SOLELY THE RESPONSIBILITY OF THE SYSTEM DESIGNER AND USER TO SELECT PRODUCTS SUITABLE FOR THEIR SPECIFIC APPLICATION REQUIREMENTS AND TO ENSURE PROPER INSTALLATION, OPERATION AND MAINTENANCE OF THESE PRODUCTS. MATERIAL COMPATIBILITY, PRODUCT RATINGS AND APPLICATION DETAILS SHOULD BE CONSIDERED IN THE SELECTION. IMPROPER SELECTION OR USE OF PRODUCTS DESCRIBED HEREIN CAN CAUSE PERSONAL INJURY OR PROPERTY DAMAGE.



90° Actuators

Reversible Electrically Operated for 3-way Ball Valves
115 VAC



Typical Applications

- 90° positioning of Hoke Selectomite® 71 & 76 Series 3-way ball valves. Select any port in desired sequence.
- Anywhere shutoff position is required.
- Automated instrument and process systems.
- Test areas where remote control is mandatory.
- For inaccessible areas where manual operation is not possible.

Technical Data

VOLTAGE	115 VAC/60 Cycle
RATED CURRENT (FULL LOAD)	0.4 Amps
POWER CONSUMPTION (FULL LOAD)	47 Watts
TORQUE OUTPUT	40 in. lbs.
OUTPUT SPEED	8.5 RPM
CYCLE TIME	1.8 Seconds Max for 90° Operation
WEIGHT	3 lbs.

Features & Benefits

- Position indicator switches are standard in all models.
- Low operating cost – power on during positioning only.
- Reversible motor permits switching to desired port
- Thermal overload protection prevents motor burnout on AC models.
- Manual override allows manual valve operation in the event of a power failure.
- ½" weather-proof conduit connection is standard; grommet is furnished for field installation.
- Can be mounted in any position.
- Special High Tolerance NPT Thread

actuators

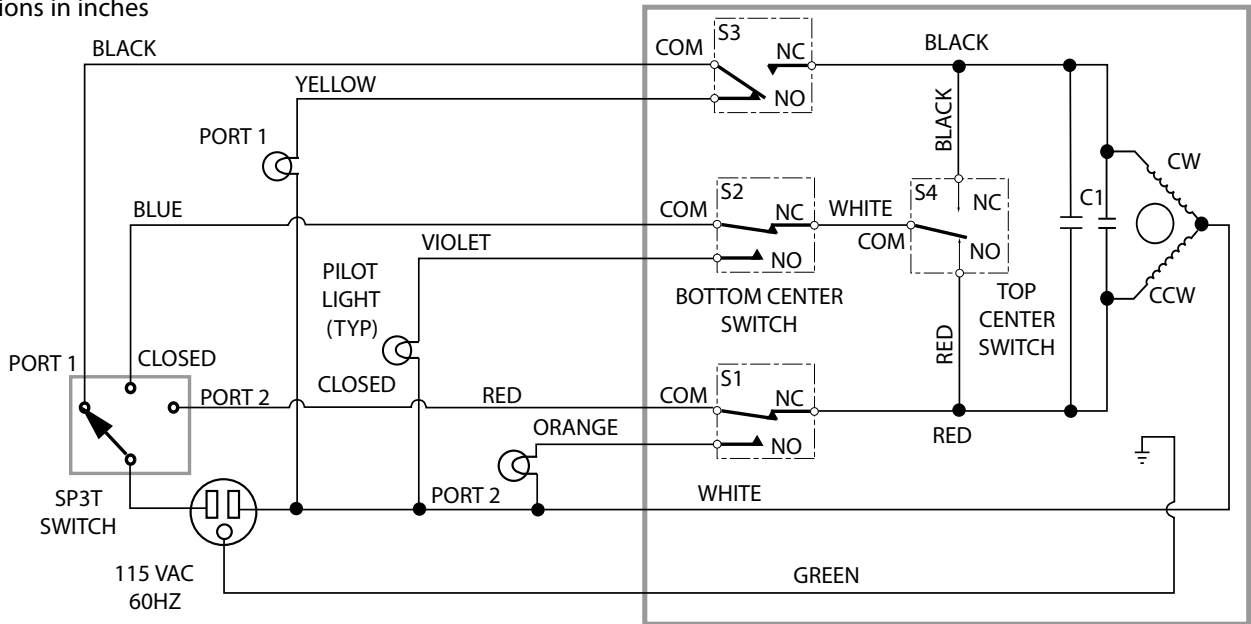
HOKE Incorporated

405 Centura Court • PO Box 4866 (29305) • Spartanburg, SC 29303
Phone (864) 574-7966 Fax (864) 587-5608
www.hoke.com • sales@hoke.com

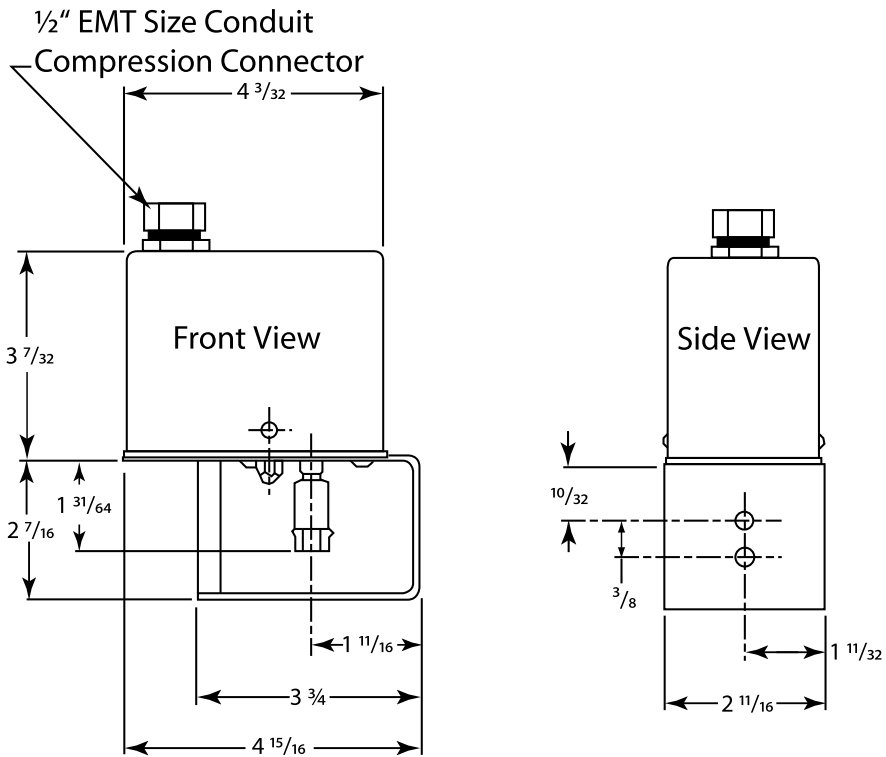
90° Actuators

Wiring Diagrams & Outline Drawings

Dimensions in inches



0122A2C



0122A2C

How to Order*

ACTUATOR ORDER NUMBER	FOR USE WITH VALVE SERIES*	MOUNTING KIT NUMBER
0122A2C	7165	0122K7165
	7671	
	7673	
	7644	0122K7644

* Refer to Hoke's General Purpose Ball Valve Catalog 79066 71 & 76 Series for full details

FOR YOUR SAFETY

IT IS SOLELY THE RESPONSIBILITY OF THE SYSTEM DESIGNER AND USER TO SELECT PRODUCTS SUITABLE FOR THEIR SPECIFIC APPLICATION REQUIREMENTS AND TO ENSURE PROPER INSTALLATION, OPERATION AND MAINTENANCE OF THESE PRODUCTS. MATERIAL COMPATIBILITY, PRODUCT RATINGS AND APPLICATION DETAILS SHOULD BE CONSIDERED IN THE SELECTION. IMPROPER SELECTION OR USE OF PRODUCTS DESCRIBED HEREIN CAN CAUSE PERSONAL INJURY OR PROPERTY DAMAGE.



Actuators

4 Position Unidirectional Electrically Actuated for 5-Way Ball Valves
115 VAC and 24 VDC



Typical Applications

- Unidirectional 90°, 180°, 270° positioning of the Hoke 5-way Multimate® 79 Series ball valves. Select any position in desired sequence.
- Automated instrument and process systems.
- Test areas where remote control is mandatory.
- For inaccessible areas where manual operation is not possible.
- Anywhere separate low voltage power supply is required.

Technical Data

	115 VAC/60 CYCLE	24 VDC
RATED CURRENT (FULL LOAD)	1.6 Amps	0.63 Amps
POWER CONSUMPTION (FULL LOAD)	57 Watts	15 Watts
TORQUE OUTPUT	40 in. lbs.	
OUTPUT SPEED	6 RPM	
CYCLE TIME	2.5 Seconds Max for 90° Operation	
WEIGHT	3 lbs. Weather-proof	2 lbs. Weather-proof

Features & Benefits

- Position indicator switches are standard in all models.
- Low operating cost – power on during positioning only.
- Weather-proof enclosure.
- Long lasting 24 volt permanent magnet gear motors on direct current models.
- Thermal overload protection prevents motor burnout on AC models.
- Manual override allows manual valve operation in the event of a power failure.
- ½" weather-proof conduit connection is standard; grommet is furnished for field installation.
- Can be mounted in any position.
- Special High Tolerance NPT Thread

actuators

HOKE Incorporated

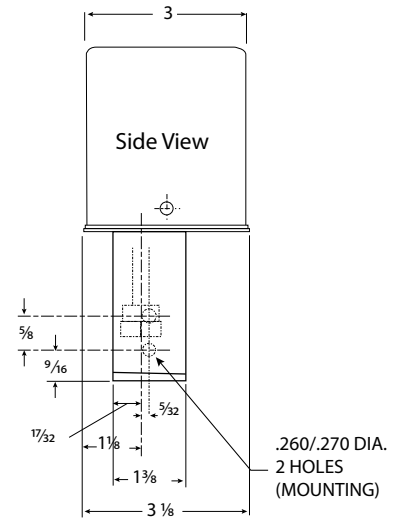
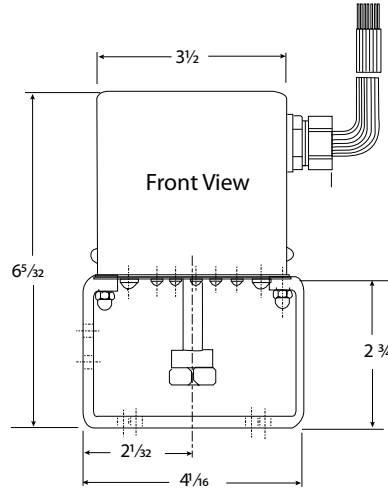
405 Centura Court • PO Box 4866 (29305) • Spartanburg, SC 29303
Phone (864) 574-7966 Fax (864) 587-5608
www.hoke.com • sales@hoke.com

Actuators

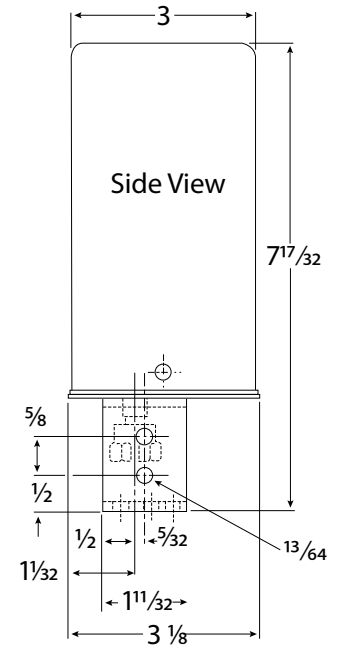
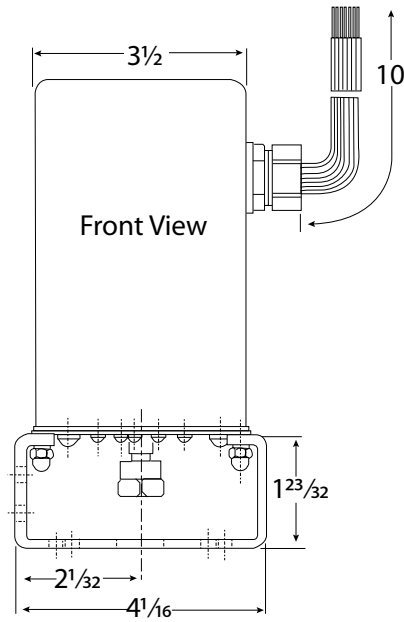
Outline Drawings

Dimensions in Inches

- 0112L2
- 0112L2F
- 0112L2T
- 0112L2P



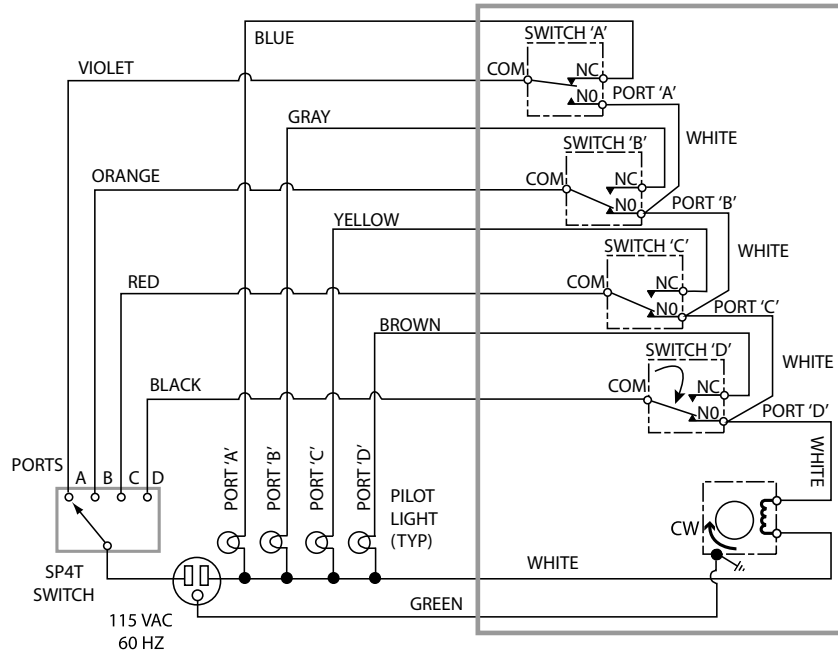
- 0172L2
- 0172L2F
- 0172L2P



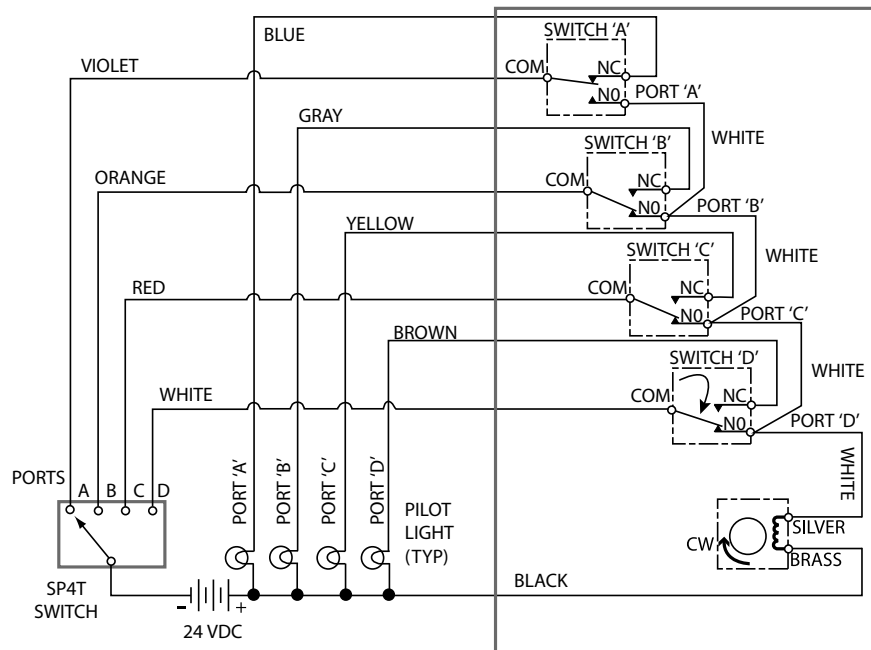
Actuators

Wiring Diagrams

0112L2P



0172L2P



How to Order

VOLTAGE	ACTUATOR DESCRIPTION	ACTUATOR ORDER NUMBER	FOR USE WITH VALVE SERIES*	MOUNTING KIT NUMBER
115 VAC 60 Cycles	Weather-proof Unidirectional	0112L2P	Multimite® 5-Way 7931 & 7941	0112K7900
24 VDC	Unidirectional Weather-proof	0172L2P	Multimite® 5-Way 7931 & 7941	0112K7900

* Refer to Hoke's General Purpose Ball Valve Catalog 79066 Multimite® 79 Series for full details

FOR YOUR SAFETY

IT IS SOLELY THE RESPONSIBILITY OF THE SYSTEM DESIGNER AND USER TO SELECT PRODUCTS SUITABLE FOR THEIR SPECIFIC APPLICATION REQUIREMENTS AND TO ENSURE PROPER INSTALLATION, OPERATION AND MAINTENANCE OF THESE PRODUCTS. MATERIAL COMPATIBILITY, PRODUCT RATINGS AND APPLICATION DETAILS SHOULD BE CONSIDERED IN THE SELECTION. IMPROPER SELECTION OR USE OF PRODUCTS DESCRIBED HEREIN CAN CAUSE PERSONAL INJURY OR PROPERTY DAMAGE.



Actuators

Electrically Operated for Metering Valves
115 VAC



Typical Applications

- Positioning and shut-off for Hoke metering valves. Automated instrument and process systems.
- For inaccessible areas where manual operation is not practical or remote control is mandatory.
- Programmed sampling and process control.

Technical Data

VOLTAGE	115 VAC/60 Cycle
RATED CURRENT (FULL LOAD)	2 Amps max.
POWER CONSUMPTION (FULL LOAD)	19 Watts
TORQUE OUTPUT	20 in. lbs.
OUTPUT SPEED	10 RPM
WEIGHT	2.8 lbs.
FEEDBACK POTENTIOMETER	500 OHMS, 2 Watts, Precision 10 turn (geared 1:2 for 20 turn valves).
PILOT LIGHT SWITCHES	10 Amps 125-250 VAC

Features & Benefits

- Limit switch option controls valve travel between two set points and provides pilot light indication of position.
- Feedback potentiometer option provides means of obtaining valve position or system flow signal for automated close loop control systems.
- Continuous stall gear motor.
- Low power consumption – power required during positioning of valve only.
- ½" weather-proof conduit connection is standard; grommet is furnished for field installation
- Special High Tolerance NPT Thread

actuators

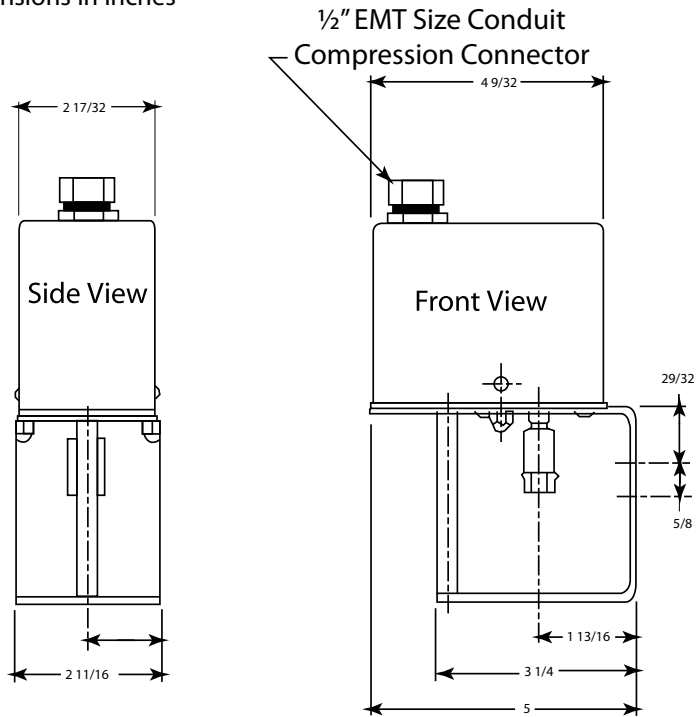
HOKE Incorporated

405 Centura Court • PO Box 4866 (29305) • Spartanburg, SC 29303
Phone (864) 574-7966 Fax (864) 587-5608
www.hoke.com • sales@hoke.com

Actuators

Wiring Diagrams & Outline Drawings

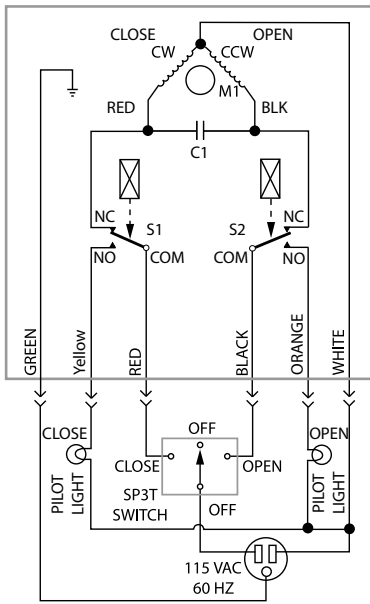
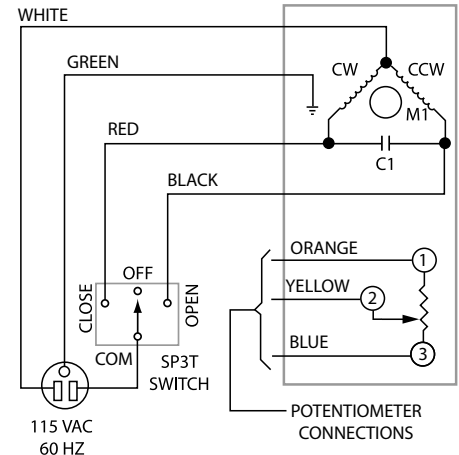
Dimensions in inches



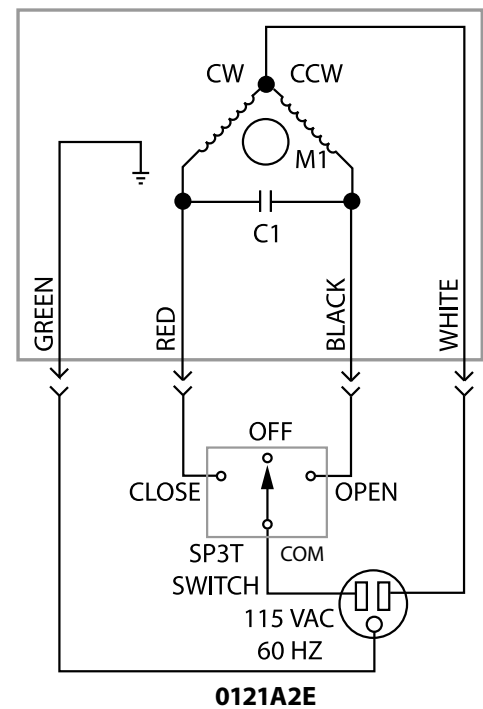
0121F2D

0121F2E

0121F2R



0121L2D, 0121L2E, 0121L2R



0121A2E

How to Order*

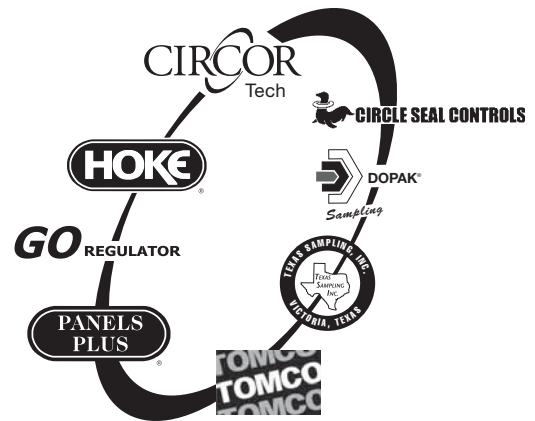
ACTUATOR DESCRIPTION	ACTUATOR ORDER NUMBER	FOR USE WITH VALVE SERIES	MOUNTING KIT NUMBER
115 VAC WEATHER-PROOF	0121A2E	2300**	0121K2300
	0121A2D	Milli-Mite® 1315, 1325, 1335, 1345	0121K1300
	0121A2R	Micromite® 1654, 1656, 1666	0121K1600
115 VAC WEATHER-PROOF WITH LIMIT SWITCHES	0121L2E	2300**	0121K2300
	0121L2D	Milli-Mite® 1315, 1325, 1335, 1345	0121K1300
	0121L2R	Micromite® 1654, 1656, 1666	0121K1600
115 VAC WEATHER-PROOF WITH FEEDBACK POTENTIOMETER	0121F2E	2300**	0121K2300
	0121F2D	Milli-mite® 1315, 1325, 1335, 1345	0121K1300
	0121F2R	Micromite® 1654, 1656, 1666	0121K1600

* To order a valve-actuator combination, specify the valve model number from Hoke's Metering Valve Catalog 79013 followed by the actuator number. Example: Valve 2315G4Y with actuator 0121F2E.
For field assembly, the valve number, actuator number, and mounting kit number must be specified.
Factory assembly is highly recommended.

** Actuators may not close 2300 Series valves leak tight above 1500 psig (103 barg).

FOR YOUR SAFETY

IT IS SOLELY THE RESPONSIBILITY OF THE SYSTEM DESIGNER AND USER TO SELECT PRODUCTS SUITABLE FOR THEIR SPECIFIC APPLICATION REQUIREMENTS AND TO ENSURE PROPER INSTALLATION, OPERATION AND MAINTENANCE OF THESE PRODUCTS. MATERIAL COMPATIBILITY, PRODUCT RATINGS AND APPLICATION DETAILS SHOULD BE CONSIDERED IN THE SELECTION. IMPROPER SELECTION OR USE OF PRODUCTS DESCRIBED HEREIN CAN CAUSE PERSONAL INJURY OR PROPERTY DAMAGE.



Hoke • GO Regulator • Tomco • CIRCOR Tech

405 Centura Court • PO Box 4866 (29305)

Spartanburg, SC 29303

Tel (864) 574-7966 • Fax (864) 587-5608

www.circortechnologies.com

Hoke Controls / Panels Plus

2054 Francis St.

Ontario, CA 91761

Tel (909) 923-3770

Fax (909) 923-2550

www.circor-panelsplus.com

Dopak Inc.

9572 Kempwood

Houston, Texas 77080

Tel (713) 460-8311

Fax (713) 460-8578

www.dopak.com

Texas Sampling, Inc

3706 Rio Grande

Victoria, Texas 77901

Tel (361) 575-8087

Fax (361) 575-8157

www.texassampling.com

Circle Seal Controls

2301 Wardlow Circle

Corona, CA 92880

Tel (951) 270-6200

Fax (951) 270-6201

www.circlesealcontrols.com

CIRCOR Instrumentation

Technologies

Central Europe

Leeuwenhoekweg 24

2661 CZ Bergschenhoek

The Netherlands

Tel +31 10 4206011 • Fax +31 10 4566774

www.circortechnologies.com

Hoke GmbH

Weitzesweg 11

Postfach 1541

D-61118 Bad Vilbel-Dortelweil

Germany

Tel +49 6101 82 56 0

Fax +49 6101 82 56 40

www.hoke.de

CIRCOR Instrumentation Technologies

CIRCOR Instrumentation Technologies (CIT) is a product group of CIRCOR International (NYSE: CIR), specializing in fluid process control solutions with orifice sizes typically up to 1". Our main product lines include ball, needle, packless, diaphragm, solenoid, and metering valves, pressure regulators, quick couplers, Gyrolok® compression tube fittings, and fully integrated sampling systems.

CIT markets primarily to the petrochemical, refining, power generation, food and beverage, semiconductor, and pharmaceutical industries, and to OEM's. CIT separates itself from the competition by offering highly engineered components manufactured to exacting standards and a variety of custom options.