



## 2300 Series

Bar Stock Metering Valves



### Typical Applications

- Metering liquids and gases on analytical equipment
- Laboratory sampling
- Gas chromatography, analyzers
- Flow meters and gauges

### Technical Data

<b>BODY*</b>	316 stainless steel, brass
<b>MAXIMUM OPERATING PRESSURE</b>	<i>Brass</i> <ul style="list-style-type: none"><li>• 3000 psig up to 200° F (207 bar @ 93° C)</li></ul> <i>316 stainless steel</i> <ul style="list-style-type: none"><li>• 3000 psig 100° F (207 bar @ 38° C)</li><li>• 1000 psig 250° F (68.9 bar @ 121° C)</li></ul>
<b>OPERATING TEMPERATURE RANGE</b>	<i>Buna N O-ring Packing</i> <ul style="list-style-type: none"><li>• -40° to 200° F (-40° to 93° C)</li></ul> <i>Teflon® Packing</i> <ul style="list-style-type: none"><li>• -60° to 250° F (-51° to 121° C)</li></ul>
<b>ORIFICE</b>	.062", .125" (1.59 mm, 3.17 mm)
<b>CV FACTOR**</b>	1° stem, 0.062" orifice: 0.012 8° stem, 0.062" orifice: 0.086 8° stem, 0.125" orifice: 0.30

\* Consult factory for other materials

\*\* Cv factors shown are based on flow through entire metering range, approximately 20 handle turns

### Features & Benefits

- 20 turn stem displacement for fine metering
- Optional micrometer vernier handle provides visual control and repeatable stem settings.
- 2 orifice sizes 0.062" (1.59mm) and 0.125" (3.17mm) are available with standard 8° stem
- Spring loaded stem in all 316 stainless steel valves prevents galling and enlargement of the orifice.
- For ultra fine metering, a 1° spring loaded stem design is available for all valves with 0.062" (1.59mm) orifice. See flow curves for details.
- Panel mounting is standard on all valves
- Bonnet lock prevents accidental disengagement of bonnet.

metering valves

### HOKE Incorporated

405 Centura Court • PO Box 4866 • Spartanburg, SC 29303

Phone (864) 574-7966 Fax (864) 587-5608

www.hoke.com • sales@hoke.com

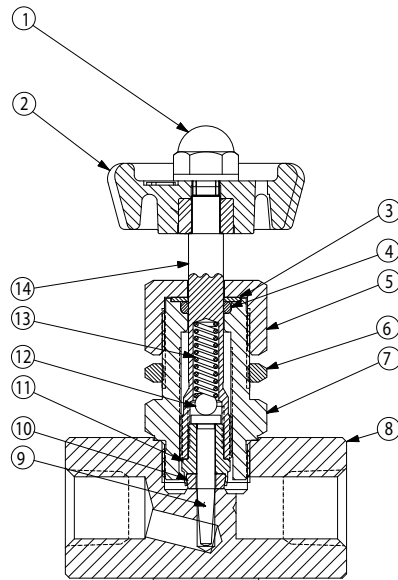
# 2300 Series

## Materials of Construction

### 316 Stainless Steel Valves (Teflon® Packing)

	DESCRIPTION	MATERIAL
1	CAP NUT (10-24)	Zinc Alloy
2	HAND WHEEL*	Nylon
3	WASHER	Teflon®
4	PACKING	Teflon®
5	PACKING NUT	316 stainless
6	MOUNTING NUT	316 stainless
7	HOUSING	316 stainless
8	BODY	316 stainless
9	SPINDLE POINT	316 stainless
10	SEAT	PCTFE
11	SEAT HOLDER	316 stainless
12	BALL	316 stainless
13	COMPRESSION SPRING	316 stainless
14	STEM	316 stainless

\* Optional micrometer handle - Aluminum

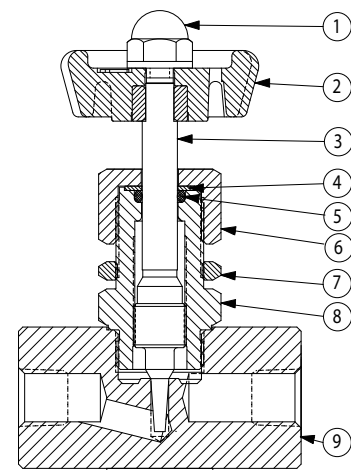


2335F[JY  
stainless steel

### Brass Valves (Buna-N Packing)

	DESCRIPTION	MATERIAL
1	CAP NUT (10-24)	Zinc Alloy
2	HAND WHEEL*	Nylon
3	STEM	316 stainless
4	WASHER	Nylon
5	O-RING	Nylon
6	PACKING NUT	Brass
7	MOUNTING NUT	FCB
8	HOUSING	Brass
9	BODY	Brass

\* Optional micrometer handle - Aluminum

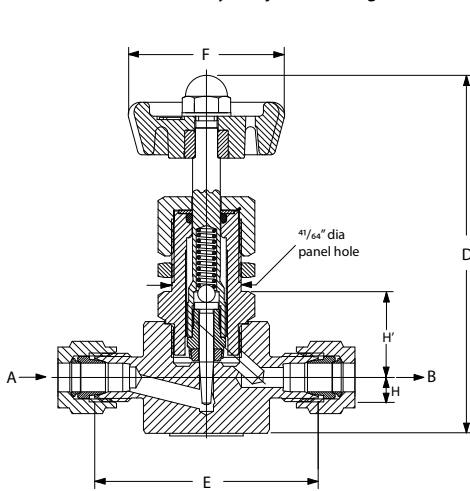


2331F[JB  
Brass

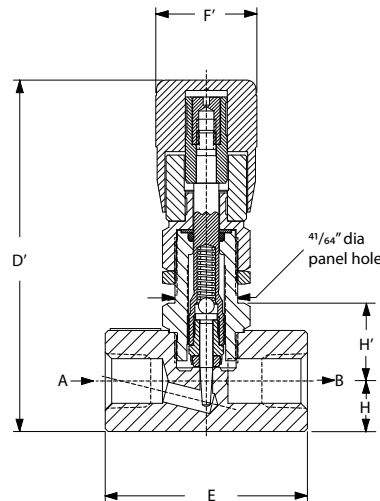
## Dimensions

FLOW PATTERN	A & B CONNECTIONS	PANEL MOUNTING DIMENSIONS									
			D	D'	E	F	F'	H	H'	PANEL THICKNESS	HOLE SIZE
GLOBE	¼" NPT FEMALE	inch	3.59	3.88	2	1.41	1	0.5	0.75	0.13	0.64
		mm	91	98	51	36	25	12.7	19	3	16
	⅛" NPT FEMALE	inch	3.59	3.88	2	1.41	1	0.5	0.75	0.13	0.64
		mm	91	98	51	36	25	12.7	19	3	16
	¼" GYROLOK®	inch	3.59	3.88	2.63	1.41	1	0.5	0.75	0.13	0.64
		mm	91	98	67	36	25	12.7	19	3	16
ANGLE	¼" NPT FEMALE	inch	3.75	4.06	1.44	1.41	1	0.56	0.81	0.13	0.64
		mm	95	103	37	36	25	14	21	3	16
	⅛" NPT FEMALE	inch	3.75	4.06	1.44	1.41	1	0.56	0.81	0.13	0.64
		mm	95	103	37	36	25	14	21	3	16

Dimensions for reference only, subject to change.



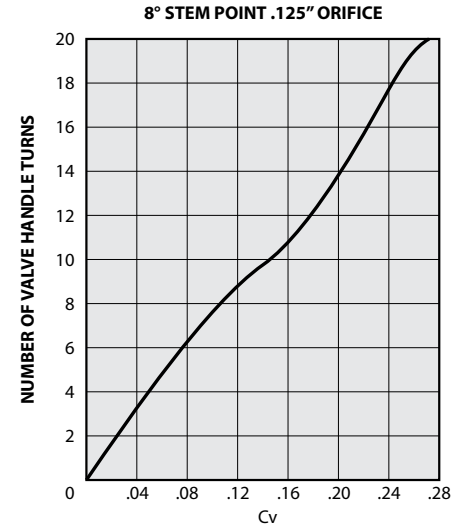
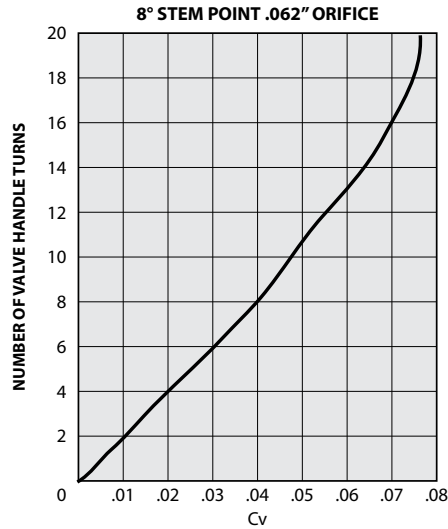
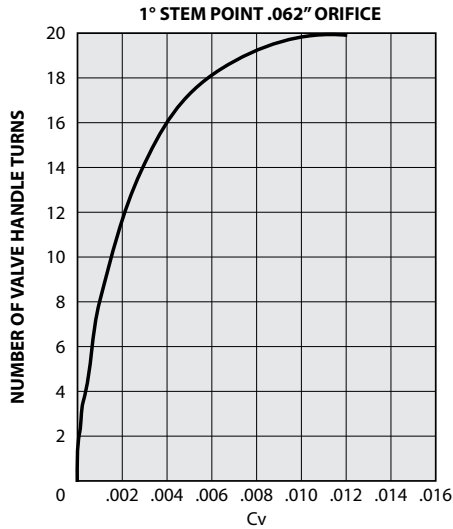
2335G[JY  
316 stainless steel



2335F4Y  
316 stainless steel  
(with optional micrometer handle)

# 2300 Series

## Curves



## How to Order

FLOW PATTERN	CONNECTIONS	316 STAINLESS STEEL VALVES		BRASS VALVES	
		TEFLON® PACKING		BUNA-N O-RING PACKING	
		1° STEM SPRING LOADED	8° STEM SPRING LOADED	SOLID 8° STEM	SOLID 8° STEM
		.062" ORIFICE	.125" ORIFICE	.062" ORIFICE	.125" ORIFICE
GLOBE	1/8" NPT FEMALE	2355F2Y	2335F2Y	2311F2B	2331F2B
	1/4" NPT FEMALE	2355F4Y	2335F4Y	2311F4B	2331F4B
	1/4" GYROLOK®	2355G4Y	2335G4Y	—	2331G4B
ANGLE	1/8" NPT FEMALE	—	—	2321F2B	2341F2B
	1/4" NPT FEMALE	—	—	2321F4B	2341F4B

## Ordering Options

### Spare Parts

Spare parts and repair kits are available for all needle valves. Please contact your distributor for specific information.

### Cleaning and Testing

When ordering, please specify if oxygen cleaning or helium leak testing is required.

### Additional Sizes

Additional sizes and options are available on special request. Please consult your local HOKE distributor.