



Selectomite® 71 and 76 Series

3-Way Ball Valves

Selectomite® 3-Way ball valves use 180° operation for diverting flow from one line to another. The handle points to the side port in use; when perpendicular to the side ports, it indicates the shutoff position.



Typical Applications

- Instrument air lines
- Sampling systems
- 2-Way gauge readout of line pressure
- Manual cylinder actuation

Technical Data

BODY MATERIAL*	316 stainless steel, brass, Monel®
OPERATING PRESSURE RANGE***	Moderate vacuum** to 6000 psig @ 70° F (414 bar @ 21° C)
OPERATING TEMPERATURE RANGE	7165 Series -40° F to +350° F (-40° C to +177° C) 7177 Series 0° F to +350° F (-18° C to +177° C) 7671, 7673 Series -40° F to +250° F (-40° C to +121° C)
ORIFICE SIZES	0.093" to 0.187" (2.4 to 4.8mm)
Cv FACTORS	0.15 to 0.57
END CONNECTIONS	1/8" to 1/2" Gyrolok® 1/8" to 1/4" NPT 3 to 8mm Gyrolok®

* Consult factory for other materials

** Moderate vacuum is 10⁻² to 10⁻³ torr. Pressure rating is for inlet through Port 3. For side loading (inlet at Port 1 or 2), see note under How to Order table for each series on page 21 and 22. For differential pressures up to 6000 psig, see Selectomite® 76 Series 3-Way trunnion valves.

*** Depending on valve series.

Features & Benefits

- Handle points to port in use or to closed position, providing a visual cue and improved safety.
- Dyna-Pak® packing provides a leak-tight seal with low operating torque in vacuum or high pressure applications, helping to prevent fugitive emissions.
- Dual encapsulated TFE seats and microfinished ball ensure a leak tight seal. This combination provides greater valve reliability.
- TFE seats and washers provide excellent corrosion resistance, providing the correct material for the application.
- A wide variety of HOKE Gyrolok® end fittings or pipe fittings provide the correct fitting option for the application.

ball valves

HOKE Incorporated

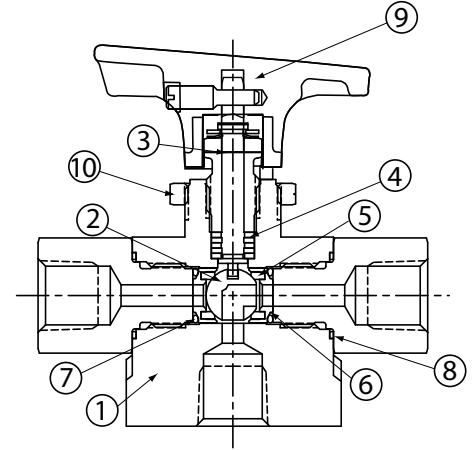
405 Centura Court • PO Box 4866 (29305) • Spartanburg, SC 29303
Phone (864) 574-7966 Fax (864) 587-5608
www.hoke.com • sales@hoke.com

Selectomite® 71 and 76 Series

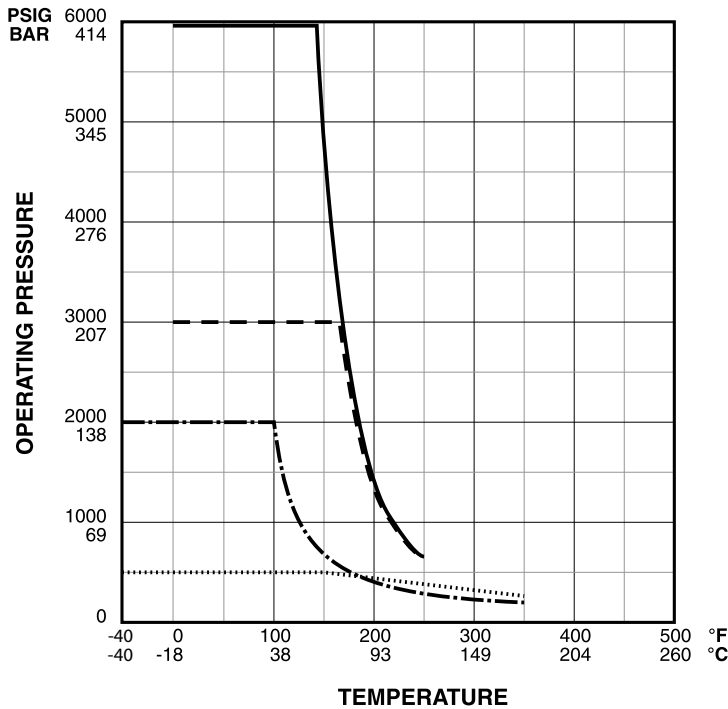
Materials of Construction

DESCRIPTION	BRASS	316 STAINLESS STEEL	MONEL®
1 Body	Brass	316 stainless steel	Monel®
2 Ball	316 stainless steel	316 stainless steel	Monel®
3 Stem	316 stainless steel	316 stainless steel	Monel®
4 Stem packing	TFE/316 stainless steel wafers	TFE/316 stainless steel wafers	TFE/Monel® wafers
5 Seats			
7165, 7177 Series	TFE	TFE	TFE
7671 Series	Nylatron®	—	—
7673 Series	—	Nylatron®	—
6 Seat retainers	Brass	316 stainless steel	Monel®
7 Seat washers†			
7177, 7673 Series	—	Viton®	—
7165 Series	TFE	TFE	TFE
7671 Series	Buna-N	—	—
8 End fitting gaskets	TFE	TFE	TFE
9 Handle	Nylon	Nylon	Nylon
10 Panel mounting nut	Nickel-plated brass	316 stainless steel	Nickel-plated brass

† Other elastomers are available upon request. Contact your local distributor

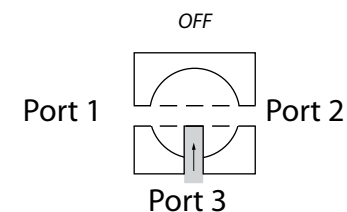
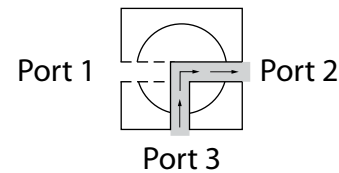
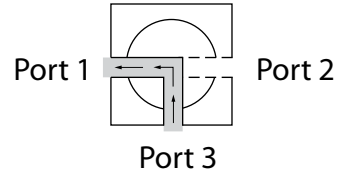


Pressure vs. Temperature Curve



- 7165 Valves
- - - 7177 Valves
- . - 7671 Valves
- 7673 Valves

Flow Diagrams 3-Way valve



Selectomite® 71 and 76 Series

Dimensions

Selectomite® 7177 Series

END CONNECTIONS		C	E	G	H	H ¹
1/8" Gyrolok®	inch	1 ²⁷ / ₆₄	2 ⁷ / ₈	1 1/4	1 ²³ / ₃₂	2 ³ / ₆₄
	mm	36	73	32	44	9
1/8" female NPT	inch	1 ²⁷ / ₆₄	2 1/4	1 1/4	3/4	2 ³ / ₆₄
	mm	36	57	32	19	9
1/4" Gyrolok®	inch	1 ²⁷ / ₆₄	3 ³ / ₃₂	1 1/4	1 ¹³ / ₁₆	2 ³ / ₆₄
	mm	36	78	32	46	9
3mm Gyrolok®	inch	1 ²⁷ / ₆₄	2 ⁷ / ₈	1 1/4	1 ²³ / ₃₂	2 ³ / ₆₄
	mm	36	73	32	44	9
6mm Gyrolok®	inch	1 ²⁷ / ₆₄	3 ³ / ₃₂	1 1/4	1 ¹³ / ₁₆	2 ³ / ₆₄
	mm	36	78	32	46	9

Panel mounting

Panel hole: 1⁹/₃₂" (15.1mm) diameter

Panel thickness: 3/16" (4.8mm) diameter

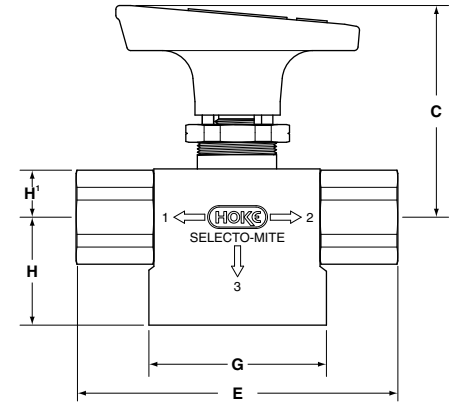
Selectomite® 7165, 7671, 7673 Series

END CONNECTIONS		C	E	G	H	H ¹
1/8" Gyrolok®	inch	1 ¹⁵ / ₁₆	3 ⁷ / ₁₆	1 3/4	2	7/16
	mm	49	87	44	51	11
1/4" Gyrolok®	inch	1 ¹⁵ / ₁₆	3 ⁵ / ₈	1 3/4	2 ¹ / ₁₆	7/16
	mm	49	92	44	52	11
1/4" female NPT	inch	1 3/4	3	1 3/4	1 ⁵ / ₁₆	7/16
	mm	44	76	44	24	11
3/8" Gyrolok®	inch	1 ¹⁵ / ₁₆	3 ⁷ / ₈	1 3/4	2 ³ / ₁₆	7/16
	mm	49	98	44	56	11
3mm Gyrolok®	inch	1 ¹⁵ / ₁₆	3 ⁷ / ₁₆	1 3/4	2	7/16
	mm	49	87	44	51	11
6mm Gyrolok®	inch	1 ¹⁵ / ₁₆	3 ⁵ / ₈	1 3/4	2 ¹ / ₁₆	7/16
	mm	49	92	44	52	11
8mm Gyrolok®	inch	1 ¹⁵ / ₁₆	3 ⁷ / ₈	1 3/4	2 ³ / ₁₆	7/16
	mm	49	98	44	56	11

Panel mounting

Panel hole: 5/16" (22.6mm) diameter

Panel thickness: 3/16" (4.8mm) diameter



Dimensions for reference only, subject to change.

How to Order Standard Valves

Selectomite® 7165 Series Pressure to 500 psig (34 bar), TFE Seats—TFE Washers

END CONNECTIONS	ORDER BY PART NUMBER				ORIFICE	Cv
	BRASS	316 STAINLESS STEEL	MONEL®			
1/8" Gyrolok®	7165G2B	7165G2Y	—	0.093" (2.4mm)	0.15 [‡]	
1/4" Gyrolok®	7165G4B	7165G4Y	7165G4M	0.187" (4.7mm)	0.57	
1/4" female NPT	7165F4B	7165F4Y	7165F4M	0.187" (4.7mm)	0.57	
3/8" Gyrolok®	7165G6B	7165G6Y	—	0.187" (4.7mm)	0.57	
1/2" Gyrolok®	7165G8B	7165G8Y	7165G8M	0.189" (4.8mm)	0.57	
3mm Gyrolok®	—	7165G3YMM	—	0.093" (2.4mm)	0.15 [‡]	
6mm Gyrolok®	—	7165G6YMM	—	0.187" (4.7mm)	0.57	
8mm Gyrolok®	—	7165G8YMM	—	0.187" (4.7mm)	0.57	

NOTE: Maximum differential pressure between side ports is 500 psig (34 barg).

‡ Orifice restricted by end connection.



7165G4B

How to Order Standard Valves (continued)

Selectomite® 7177 Series Pressure to 2000 psig (138 bar), TFE Seats—Viton® Washers

END CONNECTIONS	ORDER BY PART NUMBER		ORIFICE	Cv
	316 STAINLESS STEEL			
1/8" Gyrolok®	7177G2Y		0.093" (2.4mm)	0.15 [‡]
1/8" female NPT	7177F2Y		0.125" (3.2mm)	0.30
1/4" Gyrolok®	7177G4Y		0.125" (3.2mm)	0.30
3mm Gyrolok®	7177G3YMM		0.125" (3.2mm)	0.15 [‡]
6mm Gyrolok®	7177G6YMM		0.093" (2.4mm)	0.15 [‡]

Note: Maximum differential pressure between side ports is 1500 psig (103 bar).

‡ Orifice restricted by end connection.



7177G2Y

Selectomite® 7671 Series Pressure to 3000 psig (207 bar), Nylatron® Seats—Buna-N Washers

END CONNECTIONS	ORDER BY PART NUMBER		ORIFICE	Cv
	BRASS			
1/4" Gyrolok®	7671G4B		0.187" (4.7mm)	0.53
1/4" female NPT	7671F4B		0.187" (4.7mm)	0.57
1/2" Gyrolok®	7671G8B		0.188" (4.8mm)	0.53

Note: Maximum differential pressure between side ports is 1500 psig (103 bar).

Selectomite® 7673 Series Pressure to 6000 psig (414 bar), Nylatron® Seats—Viton® Washers

END CONNECTIONS	ORDER BY PART NUMBER		ORIFICE	Cv
	316 STAINLESS STEEL			
1/4" Gyrolok®	7673G4Y		0.187" (4.7mm)	0.57
1/4" female NPT	7673F4Y		0.187" (4.7mm)	0.57
3/8" Gyrolok®	7673G6Y		0.187" (4.7mm)	0.57
1/2" Gyrolok®	7673G8Y		0.187" (4.7mm)	0.66
6mm Gyrolok®	7673G6YMM		0.187" (4.7mm)	0.57

Note: Maximum differential pressure between side ports is 1500 psig (103 bar).



7673F4Y